

UN/EDIFACT

UNITED NATIONS STANDARD MESSAGE (UNSM)

CUSCAR  
CUSTOMS CARGO REPORT MESSAGE

Farmskrá

Skeyti sent tölvukerfi tolyfirvalda  
TOLLAKERFI

Mars 1996  
Útgáfa 1.0

Okt. 2021  
Útgáfa 1.01

**Breytingasaga:**

Upprunaleg útgáfa

- Bls. 11: Gagnastak 1225 – Kóðum 2, 5 og L bætt við leyfilega kóða.
- Bls. 16: Gagnastak 1153 – Kóðum T01 og HS bætt við leyfilega kóða.
- Bls. 20: Gagnastak 3035 – Kóðum CN og CZ bætti við leyfilega kóða.
- Bls. 20-21: Gagnastök 3036, 3042, 3164, 3251 og 3207 notuð fyrir nafn og heimilisfang þegar 3035 = CN eða CZ.

**CUSCAR:**

Útgefið af: Skatturinn  
Útgáfunúmer: 1.01  
Dags: október 2021

**EDIFACT-útgáfa:**

Skeyti: CUSCAR  
Version: S  
Release: 93A  
Status: 2  
Dags. útgáfu: 93-08  
Controlling agency: UN

## Efnisyfirlit

EFNISYFIRLIT.....	3
INNGANGUR EDIFACT .....	4
UPPBYGGING CUSCAR .....	5
LÍÐIR CUSCAR Í STAFRÓFSRÖÐ.....	7
Þvottasnúra .....	8
LÝSING LIÐA .....	10
DÆMI.....	28

## Inngangur EDIFACT

-----  
For general information on UN standard message types see UN Trade Data Interchange Directory, UNTDID, Part 4, Section 2.5, UN/ECE UNSM General Introduction.  
-----

### 0. Introduction

This specification provides the definition of the Customs Cargo Report Message (CUSCAR) to be used in Electronic Data Interchange (EDI) between partners involved in administration, commerce and transport.

### 1. Scope

#### 1.1 Functional Definition

This message permits the transfer of data from a carrier to a Customs administration for the purpose of meeting Customs cargo reporting requirements.

#### 1.2 Field of Application

This message may be applied for both national and international trade. It is based on universal practice and is not independent on the type of business or industry.

#### 1.3 Principles

It is envisaged that the Customs Cargo Inventory Report Message may be initiated by the carrier to report individual consignments to a Customs administration. The message is transmitted upon arrival of the goods, or where national legislation permits, prior to arrival. The data provides

Customs with a means of "writing off" or acquitting the cargo report against Goods declarations. It also allows Customs to undertake selectivity processing in order to select high risk shipments requiring examination.

The message may be used for reporting:

- (a) onward transit/transshipment;
- (b) short and part shipped goods;
- (c) empty containers;
- (d) import/export cargo;
- (e) house and masterbill relationships.

### 2. References

See UNTDID, Part 4, Section 2.5. UN/ECE UNSM - General Introduction, Section 1.

### 3. Terms and Definitions

See UNTDID, Part 4, Section 2.5. UN/ECE UNSM - General Introduction, Section 2.

## Uppbygging CUSCAR

Hér er sýnd uppbygging CUSCAR-skeytisins í heild.

Þeir liðir sem ekki eru notaðir í þessari uppsetningu, eru skyggðir í þessu yfirliti.

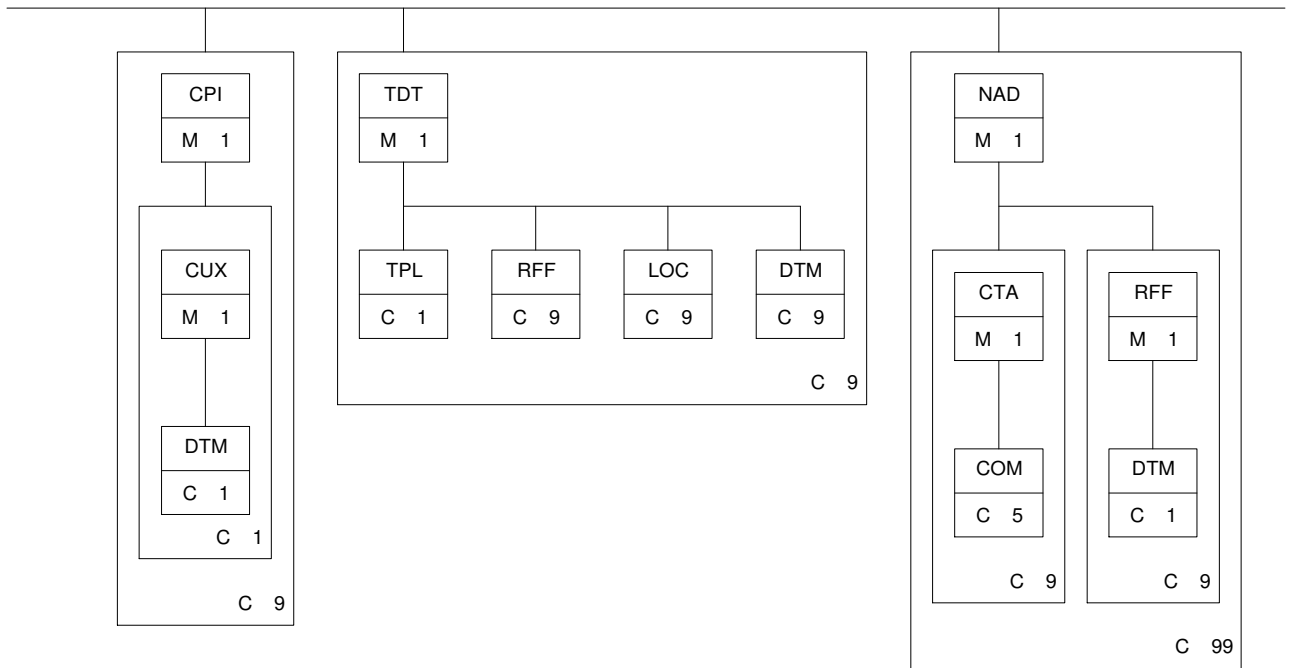
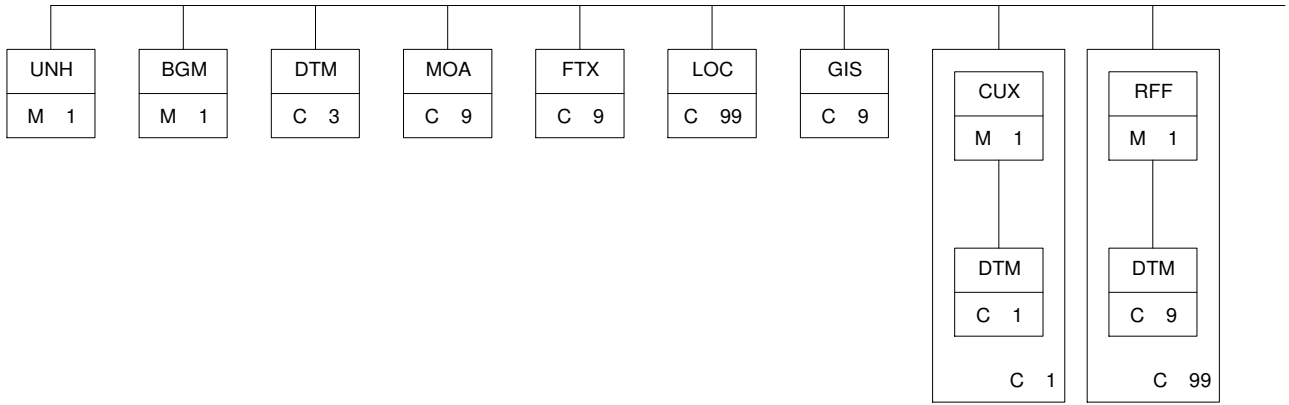
TAG	NAME	S	REPT		
UNH	MESSAGE HEADER	M	1		
BGM	BEGINNING OF MESSAGE	M	1		
DTM	DATE/TIME/PERIOD	C	3		
MOA	MONETARY AMOUNT	C	9		
FTX	FREE TEXT	C	9		
LOC	PLACE/LOCATION IDENTIFICATION	C	99		
GIS	GENERAL INDICATOR	C	9		
Group 1 - Currencies				C	1
CUX	CURRENCIES	M	1		
DTM	DATE/TIME/PERIOD	C	1		
Group 2 - References				C	99
RFF	REFERENCE	M	1		
DTM	DATE/TIME/PERIOD	C	9		
Group 3 - Charge payment loop				C	9
CPI	CHARGE PAYMENT INSTRUCTIONS	M	1		
Group 4 - Currencies loop				C	1
CUX	CURRENCIES	M	1		
DTM	DATE/TIME/PERIOD	C	1		
Group 5 - Details of transport				C	9
TDT	DETAILS OF TRANSPORT	M	1		
TPL	TRANSPORT PLACEMENT	C	1		
RFF	REFERENCE	C	9		
LOC	PLACE/LOCATION IDENTIFICATION	C	9		
DTM	DATE/TIME/PERIOD	C	9		
Group 6 - Name and address loop				C	99
NAD	NAME AND ADDRESS	M	1		
Group 7 - Contact loop				C	9
CTA	CONTACT INFORMATION	M	1		
COM	COMMUNICATION CONTACT	C	5		
Group 8 - Reference loop				C	9
RFF	REFERENCE	M	1		
DTM	DATE/TIME/PERIOD	C	1		
Group 9 - Goods item details loop				C	99
GID	GOODS ITEM DETAILS	M	1		
PAC	PACKAGE	C	3		
HAN	HANDLING INSTRUCTIONS	C	5		
FTX	FREE TEXT	C	9		
MEA	MEASUREMENTS	C	99		
SGP	SPLIT GOODS PLACEMENT	C	99		
DGS	DANGEROUS GOODS	C	9		
Group 10 - Reference loop				C	9
RFF	REFERENCE	M	1		
DTM	DATE/TIME/PERIOD	C	1		
Group 11 - Package id. loop				C	9
PCI	PACKAGE IDENTIFICATION	M	1		
RFF	REFERENCE	C	1		

DTM	DATE/TIME/PERIOD	C	1			
	Group 12 - Quantity loop			C	2	
QTY	QUANTITY	M	1			
FTX	FREE TEXT	C	1			
	Group 13 - General indicator loop			C	9	
GIS	GENERAL INDICATOR	M	1			
DOC	DOCUMENT/MESSAGE DETAILS	C	9			
	Group 14 - Equipment loop			C	999	
EQD	EQUIPMENT DETAILS	M	1			
MEA	MEASUREMENTS	C	9			
DIM	DIMENSIONS	C	9			
SEL	SEAL NUMBER	C	9			
NAD	NAME AND ADDRESS	C	9			
GIS	GENERAL INDICATOR	C	9			
	Group 15 - Temperature loop			C	1	
TMP	TEMPERATURE	M	1			
RNG	RANGE DETAILS	C	1			
CNT	CONTROL TOTAL	C	5			
	Group 16 - Authentication			C	1	
AUT	AUTHENTICATION	M	1			
DTM	DATE/TIME/PERIOD	C	1			
UNT	MESSAGE TRAILER	M	1			

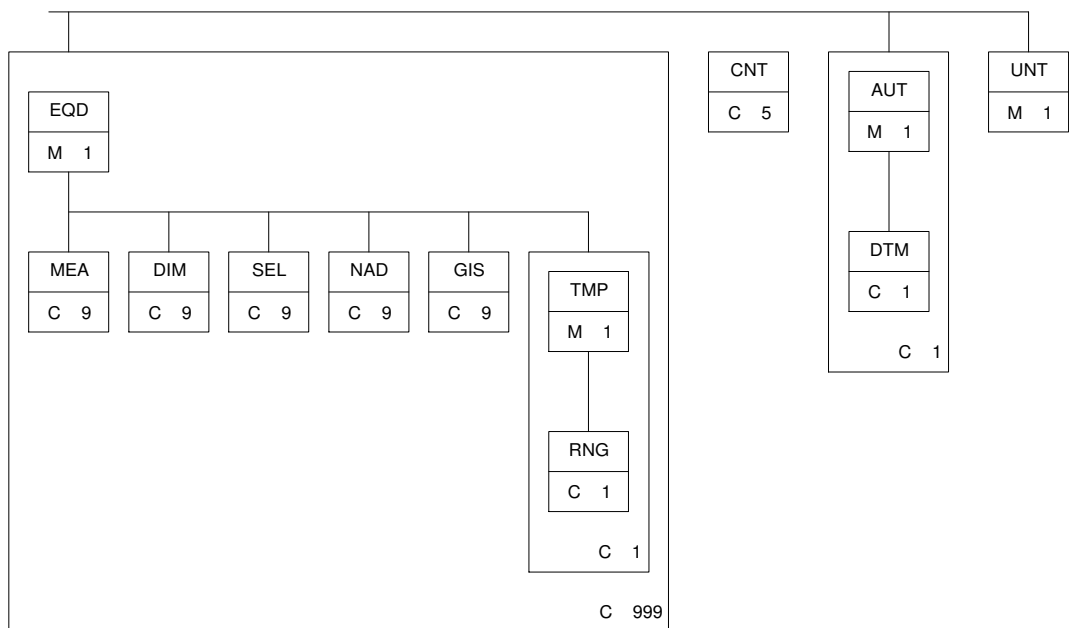
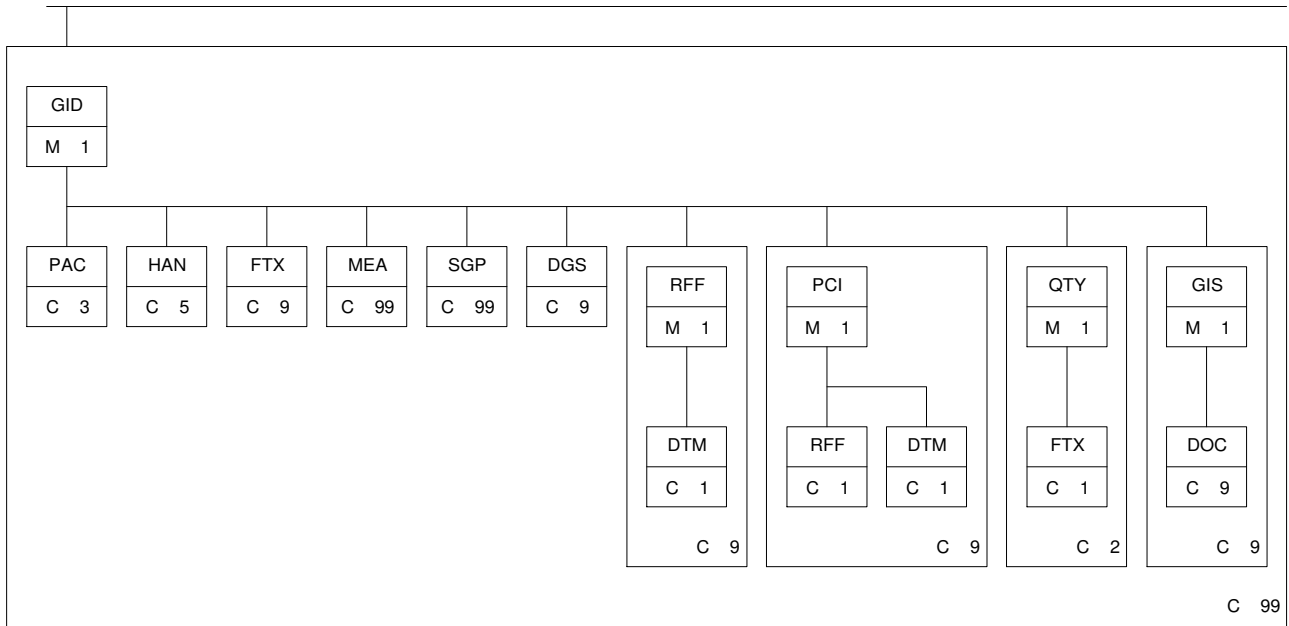
## Liðir CUSCAR í stafrófsröð

AUT AUTHENTICATION  
BGM BEGINNING OF MESSAGE  
CNT CONTROL TOTAL  
COM COMMUNICATION CONTACT  
CPI CHARGE PAYMENT INSTRUCTIONS  
CTA CONTACT INFORMATION  
CUX CURRENCIES  
DGS DANGEROUS GOODS  
DIM DIMENSIONS  
DOC DOCUMENT/MESSAGE DETAILS  
DTM DATE/TIME/PERIOD  
EQD EQUIPMENT DETAILS  
FTX FREE TEXT  
GID GOODS ITEM DETAILS  
GIS GENERAL INDICATOR  
HAN HANDLING INSTRUCTIONS  
LOC PLACE/LOCATION IDENTIFICATION  
MEA MEASUREMENTS  
MOA MONETARY AMOUNT  
NAD NAME AND ADDRESS  
PAC PACKAGE  
PCI PACKAGE IDENTIFICATION  
QTY QUANTITY  
RFF REFERENCE  
RNG RANGE DETAILS  
SEL SEAL NUMBER  
SGP SPLIT GOODS PLACEMENT  
TDT DETAILS OF TRANSPORT  
TMP TEMPERATURE  
TPL TRANSPORT PLACEMENT  
UNH MESSAGE HEADER  
UNT MESSAGE TRAILER

***Pvottasnúra***







## Lýsing liða

Í þessum kafla eru sýndir allir liðir skeytisins. Þeim liðum sem ekki eru notaðir er sleppt, en vísað í lýsingar staðla á þeim liðum. Þau gagnastök sem ekki eru notuð eru skyggð í þessari uppsetningu.

Þennan hluta er gott að lesa með yfirlitinu yfir uppbygginguna og þvottasnúruyfirlitinu, til þess að sjá samhengi hlutanna.

<b>UNH - M 1 - MESSAGE HEADER</b>			
<i>Function : To head, identify and specify a message.</i>			
0062 MESSAGE REFERENCE NUMBER	M	an..14	Einkvæmt raðnúmer skeytis innan sendingar, gefið af SMT-þýðanda eða viðsk.hugbúnaði. Númerið skal vera það sama og í 0062 í UNT skeytahlutanum.
S009 MESSAGE IDENTIFIER	M		
0065 Message type identifier	M	an..6	*CUSCAR=Farmskrá
0052 Message version number	M	an..3	*S
0054 Message release number	M	an..3	*93A = Edifact directory S.93A
0051 Controlling agency, coded	M	an..2	*UN Útgefið af: UN=Sameinuðu þjóðirnar
0057 Association assigned code	C	an..6	
0068 COMMON ACCESS REFERENCE	C	an..35	Kóði stafasetts - sjá skýringar
S010 STATUS OF THE TRANSFER	C		
0070 Sequence message transfer number	M	n..2	
0073 First/last sequence message transfer indic.	C	a1	

### Skýringar:

0068 - Kóði stafasetts. Fyrst um sinn skal nota þetta gagnastök til að auðkenna kóða stafasetts á sama hátt og gert er í sendingum tollskýrslna (CUSDEC). Nota má kóðana; ISO, ANSI, 850 og 861

**BGM - M 1 - BEGINNING OF MESSAGE**

*Function : To specify message name and function.*

C002 DOCUMENT/MESSAGE NAME	C		
1001 Document/message name, coded	C	an..3	*785 = Cargo manifest
1131 Code list qualifier	C	an..3	
3055 Code list resp. agency, coded	C	an..3	
1000 Document/message name	C	an..35	
1004 DOCUMENT/MESSAGE NUMBER	C	an..35	Sendingarnúmer
1225 MESSAGE FUNCTION, CODED	C	an..3	*1 = Afturköllun farmskrár (ekki notað) *2 = Tilvísun í frumfarmskrá *5 = Breyting á farmskrá *7 = Endursending farmskrár (ekki notað) *9 = Upprunalegt (þ.e. ný farmskrá) *L = Tilkynning um fjölda sendinga í uppskiptingu
4343 RESPONSE TYPE, CODED	C	an..3	

**Skýringar:**

Ef 1225 = 9, er átt við að um venjulega sendingu farmskrár er að ræða.

Ef 1225 = 2, er um að ræða tilkynningu um sendingarnúmer sem tengja skal tilteknu frumsendingarnúmeri (notað við umsýslu undirbréfa/uppskiptinga hraðsendingar).

Fyrsta sendingarnúmer innan sendingar sem berst stofnar komu í tollakerfinu.

**DTM - C 3 - DATE/TIME PERIOD**

*Function : To indicate the date/time of message creation and the date and time of cargo report to Customs.*

C507	DATE/TIME/PERIOD	C		
2005	Date/time/period qualifier	M	an..3	*137 = Dagsetning (og tími) skeytis *252 = Komudagur í fyrstu höfn (innflutningur) *253 = Brottfarardagur úr síðustu höfn (útflutningur)
2380	Date/time/period	M	an..35	Dagsetning
2379	Date/time/period fmt qualifier	M	an..3	*102 = ÖÖÁÁMMDD *203 = ÖÖÁÁMMDDKKMM

**LOC - C 99 - PLACE/LOCATION IDENTIFICATION**

*Function : To specify the Customs clearance office/place, place of origin of carriage, place of acceptance by importing carrier, place of ultimate destination of goods, place of transhipment.*

3227 PLACE/LOCATION QUALIFIER	M	an..3	Skilgreining staðar, sjá skýringar *18 = Vörugymsla *20 = Ákvörðunarstaður *79 = Komustaður (innflutningur) *5 = Brottfararstaður (útflutningur)
C517 LOCATION IDENTIFICATION	C		
3225 Place/location identification	C	an..25	Auðkenni staðar
1131 Code list qualifier	C	an..3	
3055 Code list responsible agency, coded	C	an..3	
3224 Place/location	C	an..17	
C519 RELATED LOCATION ONE IDENTIFICATION	C		
3223 Related place/location one identification	C	an..25	
1131 Code list qualifier	C	an..3	
3055 Code list responsible agency, coded	C	an..3	
3222 Related place/location one	C	an..70	
C553 RELATED LOCATION TWO IDENTIFICATION	C		
3233 Related place/location two identification	C	an..25	
1131 Code list qualifier	C	an..3	
3055 Code list responsible agency, coded	C	an..3	
3232 Related place/location two	C	an..70	

5479 RELATION, CODED	C	an..3	
----------------------	---	-------	--

**Skýringar:**

C517 3225 - Place / location identification

Ef 3227 = 18 - Nota þriggja stafa kóða fyrir auðkenni vöruheymslu

Ef 3227 = 20 - Nota 5 stafa kóða t.d. ISHAF, DKCPH

Ef 3227 = 5 / 79 - Nota 5 stafa staðarkóða t.d. ISREY, ISKEF, ISHAF

**GIS - C 9 - GENERAL INDICATOR**

*Function : To specify processing indicators such as import/export/transit indicator, container quarantine indicator and onward movement type indicator.*

C529 PROCESSING INDICATOR	M		
7365 Processing indicator, coded	M	an..3	*22 = Útflutningur *23 = Innflutningur *24 = Transit (óvirkur kódi, ekki notaður)
1131 Code list qualifier	C	an..3	
3055 Code list resp. agency, coded	C	an..3	
7187 Process type identification	C	an..17	

**Skýringar:**

Þessi liður er notaður til að greina á milli inn- og útflutnings. **Liðnum má ekki sleppa.**

## RFF-DTM - C 99 - Reference loop

A group of segments specifying control numbers used by Customs related to the shipment, and related dates/times.

### RFF - M 1 - REFERENCE

*Function : A segment specifying the bill of lading or air waybill number at the master or house level, empty container report number, Customs control number (e.g. export clearance number), guarantee/bond number of onward or importing carrier, and other consignment reference numbers.*

C506 REFERENCE	M		
1153 Referece qualifier	M	an..3	*AWB = Flugfarmbréf (Air waybill number) *BM = Farmskrárnúmer (Bill of lading number) *ACW = Var sendingarnúmer *T01 = Fjöldi uppskiptinga *ZZZ = Fjöldi hleðslustaða *HS = Fyrstu sex stafir tollskrárnúmers (Harmonised System Number)
1154 Reference number	C	an..35	
1156 Line number	C	an..6	
4000 Reference version number	C	an..35	

#### Skýringar:

C506 1154 - Reference number

Ef 1153 = AWB, þá er lengdin an11

Ef 1153 = BM, þá er lengdin an4

Ef 1153 = ACW, þá er verið að senda uppskipta sendingu og upprunalega sendingarnúmerið er gefið upp hér.

Ef 1153 = T01 – Notað til að gefa upp fjölda uppskiptinga sem tiltekinni sendingu verður skipt upp í, þegar 1225 = L

Ef 1153 = ZZZ (gagnkvæm skilgreining) - Notað til að gefa upp fjölda hleðslustaða

Ef 1153 = HS (Harmonised System) - Notað til að gefa upp fyrstu sex stafi tollskrárnúmers vöru. Lengd er n6



## TDT-TPL-RFF-LOC-DTM - C 9 - Details of transport loop

A group of segments to identify details of transport, references, locations and associated dates/times.

### TDT - M 1 - DETAILS OF TRANSPORT

*Function : A segment to identify the primary identity of the conveyance e.g. voyage/flight number, vehicle licence plate number, railway car initials and numbers, name of vessel reference number and the carrier/onward carrier.*

8051 TRANSPORT STAGE QUALIFIER	M	an..3	*20 = Main carriage transport
8028 CONVEYANCE REFERENCE NUMBER	C	an..17	
C220 MODE OF TRANSPORT	C		
8067 Mode of transport, coded	C	an..3	
8066 Mode of transport	C	an..17	
C228 TRANSPORT MEANS	C		
8179 Type of means of transport identification	C	an..8	
8178 Type of means of transport	C	an..17	
C040 CARRIER	C		
3127 Carrier identification	C	an..17	Kóði flutningsaðila; E, F, S
1131 Code list qualifier	C	an..3	
3055 Code list responsible agency, coded	C	an..3	
3128 Carrier name	C	an..35	Heiti flutningsfars
8101 TRANSIT DIRECTION, CODED	C	an..3	

C401 EXCESS TRANSPORTATION INFO.	C		
8457 Excess transportation reason, coded	M	an..3	
8459 Excess transportation responsibility, coded	M	an..3	
7130 Customer authorization number	C	an..17	
C222 TRANSPORT IDENTIFICATION	C		
8213 Id of means of transport identification	C	an..9	Kóði flutningsfars - Dæmi: BRU, DIS, 615
1131 Code list qualifier	C	an..3	
3055 Code list responsible agency, coded	C	an..3	
8212 Id of the means of transport	C	an..17	Tegund flutningsfars
8453 Nationality of means of transport, coded	C	an..3	Þjóðerni fars, 2 stafir locode-staðall (t.d. IS, DK)

**Skýringar:**

Venjulega er gefið upp, kóði flutningsaðila (C040 3127) og kóði flutningsfars (C222 8213).

Ef farmflytjandi vill stofna flutningsfar í sendingunni, þá gefur hann auk þess upp:

- Heiti flutningsfars (C040 3128)
- Tegund flutningsfars (C222 8212)
- Þjóðerni flutningsfars (C222 8453)

Þá er viðkomandi flutningsfar stofnað í kerfi tollyfirvalda. Í DTM-lið sem kemur á eftir er hægt að tilgreina gildistímabil farsins.

**DTM - C 9 - DATE/TIME PERIOD***Function : To specify dates/times related to details of transport.*

C507	DATE/TIME/PERIOD	C		
2005	Date/time/period qualifier	M	an..3	*194 = Upphaf gildistíma flutningsfars *206 = Lok gildistíma flutningsfars
2380	Date/time/period	M	an..35	Dagsetning
2379	Date/time/period fmt qualifier	M	an..3	*102 = ÖÖÁÁMMDD *203 = ÖÖÁÁMMDDKKMM

## NAD-SG7-SG8 - C 99 - Name and address loop

A group of segments to identify the parties, contacts and related references.

### NAD - M 1 - NAME AND ADDRESS

*Function : To specify the name and address of the consignor, consignee, empty container responsible party, nominated reporting agent, railway issuing waybill, and reporting party.*

3035 PARTY QUALIFIER	M	an..3	*IM = Innflytjandi (Importer) *EX = Útflytjandi (Exporter) *CN = Erlendur viðtakandi (Consignee – útflutt vörusending) *CZ = Erlendur sendandi (Consignor – innflutt vörusending)
C082 PARTY IDENTIFICATION DETAILS	C		
3039 Party id identification	M	an..17	Íslensk kennitala
1131 Code list qualifier	C	an..3	
3055 Code list resp. agency, coded	C	an..3	*ZZZ=Íslensk kennitala er notuð
C058 NAME AND ADDRESS	C		
3124 Name and address line	M	an..35	Nafn móttakanda
3124 Name and address line	C	an..35	Heimili móttakanda
3124 Name and address line	C	an..35	Póstnúmer móttakanda
3124 Name and address line	C	an..35	Nafn, heimili
3124 Name and address line	C	an..35	Nafn, heimili
C080 PARTY NAME	C		
3036 Party name	M	an..35	Nafn (þegar 3035 = CN eða CZ)
3036 Party name	C	an..35	

3036 Party name	C	an..35	
3036 Party name	C	an..35	
3036 Party name	C	an..35	
3045 Party name format, coded	C	an..3	
C059 STREET	C		
3042 Street and number/P.O. Box	M	an..35	Heimilisfang (þegar 3035 = CN eða CZ)
3042 Street and number/P.O. Box	C	an..35	
3042 Street and number/P.O. Box	C	an..35	
3164 CITY NAME	C	an..35	Borg (þegar 3035 = CN eða CZ)
3229 COUNTRY SUB-ENTITY IDENTIFIC.	C	an..9	
3251 POSTCODE IDENTIFICATION	C	an..9	Póstnúmer (þegar 3035 = CN eða CZ - má sleppa)
3207 COUNTRY, CODED	C	an..3	Lykill lands (þegar 3035 = CN eða CZ)

**Skýringar:**

3039 - Sé kennitalan send er ekki þörf fyrir nafn og heimilisfang. Sé kennitölunni hins vegar sleppt, er nauðsynlegt að gefa upp nafn og heimilisfang.

## GID-PAC-HAN-FTX-MEA-SGP-DGS-SG10-SG11-SG12-SG13 - C 99 - Goods item details loop

A group of segments specifying goods item details including number and type of packages, handling instructions, quantity variances, package identification, goods description and related references, measurements, references, indicators for split goods placement and indicator for dangerous goods.

### GID - M 1 - GOODS ITEM DETAILS

*Function : To identify the line item number, as well as number and type of packages.*

1496 GOODS ITEM NUMBER	C	n..5	
C213 NUMBER AND TYPE OF PACKAGES	C		
7224 Number of packages	M	n..8	Fjöldi stykkja
7065 Type of packages identification	C	an..7	Tegund umbúða (sjá aths.)
1131 Code list qualifier	C	an..3	
3055 Code list responsible agency, coded	C	an..3	
7064 Type of packages	C	an..35	
C213 NUMBER AND TYPE OF PACKAGES	C		
7224 Number of packages	M	n..8	
7065 Type of packages identification	C	an..7	
1131 Code list qualifier	C	an..3	
3055 Code list responsible agency, coded	C	an..3	
7064 Type of packages	C	an..35	
C213 NUMBER AND TYPE OF PACKAGES	C		

7224	Number of packages	M	n..8	
7065	Type of packages identification	C	an..7	
1131	Code list qualifier	C	an..3	
3055	Code list responsible agency, coded	C	an..3	
7064	Type of packages	C	an..35	

**Skýringar:**

7065 - Kóði fyrir tegund umbúða skv. UN/ECE recommendations no. 21/Rev.1

**FTX - C 9 - FREE TEXT***Function : To identify the description of goods.*

4451 TEXT SUBJECT QUALIFIER	M	an..3	*AAA = Vörulýsing
4453 TEXT FUNCTION, CODED	C	an..3	
C107 TEXT REFERENCE	C		
4441 Free text, coded	M	an..3	
1131 Code list qualifier	C	an..3	
3055 Cde list resp. agency, coded	C	an..3	
C108 TEXT LITERAL	C		
4440 Free text	M	an..70	Vörulýsing
4440 Free text	C	an..70	Vörulýsing
4440 Free text	C	an..70	Vörulýsing
4440 Free text	C	an..70	Vörulýsing
4440 Free text	C	an..70	Vörulýsing
3453 LANGUAGE, CODED	C	an..3	

**Skýringar:**

Hámarkstexti sem hægt er að senda eru 10 línur, þannig að liðurinn getur komið tvisvar sinnum fyrir.



## PCI-RFF-DTM - C 9 - Package identification loop

A segment group to identify package information.

### PCI - M 1 - PACKAGE IDENTIFICATION

*Function : To identify the levels of packaging.*

4233 MARKING INSTRUCTIONS, CODED	C	an..3	*28 = Merki, frjáls texti
C210 MARKS & LABELS	C		
7102 Shipping marks	M	an..35	Merki
7102 Shipping marks	C	an..35	Merki
7102 Shipping marks	C	an..35	Merki
7102 Shipping marks	C	an..35	Merki
7102 Shipping marks	C	an..35	Merki
7102 Shipping marks	C	an..35	Merki
7102 Shipping marks	C	an..35	Merki
7102 Shipping marks	C	an..35	Merki
7102 Shipping marks	C	an..35	Merki
7102 Shipping marks	C	an..35	Merki
8275 CONTAINER/PACKAGE STATUS, CODED	C	an..3	

#### Skýringar:

Hámarkstexti sem hægt er að senda eru 10 línur og liðurinn getur því einungis komið einu sinni fyrir.

## QTY-FTX - C 2 - Quantity loop

A group of segments to specify the quantity manifested, quantity landed and reason for change.

### QTY - M 1 - QUANTITY

*Function : To identify quantity manifested and quantity landed.*

C186 QUANTITY DETAILS	M		
6063 Quantity qualifier	M	an..3	*118 = Quantity manifested
6060 Quantity	M	n..15	Brúttóþyngd
6411 Measure unit qualifier	C	an..3	KGM = Kílógrömm TNE = Tonne (1.000 kg.)

#### Skýringar:

**UNT - M 1 - MESSAGE TRAILER**

*Function : A service segment to end the message and check the completeness of the message (i.e. the total number of segments in the message and the control reference number of the message).*

0074 NUMBER OF SEGMENTS IN A MESSAGE	M	n..6	Heildarfjöldi liða í skeytinu.
0062 INTERCHANGE CONTROL REFERENCE	M	an..14	Sama og 0062 í UNH.

## Dæmi

### Innflutningur

UNH+0001+CUSCAR:S:93A:UN+ISO'  
BGM+785+EBRU30016NLR TMR999B+9'  
DTM+137:19960130:102'  
DTM+252:19960130:102'  
LOC+79+ISHAF'  
LOC+18+ABC'  
LOC+20+ISREK'  
GIS+23'  
RFF+BM: R999'  
RFF+HS:640420'  
RFF+ZZZ:002'  
TDT+20++++E+++BRU'  
NAD+CZ+++SPDirect+Astraat 1+Sneek++WH13+NL'  
NAD+IM+2801587399::ZZZ'  
GID++20:CLL'  
FTX+AAA+++Strigaskór'  
PCI+28+ABCDEFGH'  
QTY+118:145:KGM'  
UNT+19+0001'

Upphaf skeytis; tilvísunarnr. skeytis  
Sendingarnúmer (ásamt vartölu)  
Dagsetning skeytis  
Komudagur í fyrstu höfn  
Komustaður  
Vörugeymsla ABC  
Ákvörðunarstaður  
Innflutningur  
Farmskrárnúmer  
Fyrstu sex stafir tollskrárnúmers vöru  
Fjöldi hleðslustaða  
Flutningsaðili og flutningsfar  
Sendandi í útlöndum  
Kennitala innflytjanda.  
Fjöldi stykkja og tegund umbúða  
Vörulýsing  
Merki og númer umbúða/vöru  
Brúttóþyngd = 145 Kíló  
Fjöldi liða í skeytinu er 19  
Tilvísunarnr. skeytis er endurtekið í UNT

### Útflutningur

UNH+0001+CUSCAR:S:93A:UN+ISO'  
BGM+785+EBRU30016ISREKR888X+9'  
DTM+137:19960130:102'  
DTM+253:19960130:102'  
LOC+5+ISHAF'  
LOC+18+ABC'  
LOC+20+NLR TM'  
GIS+22'  
RFF+BM:R888'  
RFF+HS:170490'  
RFF+ZZZ:001'  
TDT+20++++E+++BRU'  
NAD+CN+++SPDirect+Astraat 1+Sneek++WH13+NL'  
NAD+EX+2801587399::ZZZ+BB hf:Laugavegi 1:101'  
GID++20:CLL'  
FTX+AAA+++Lakkrís'  
PCI+28+ABCDEFGH'  
QTY+118:145:KGM'  
UNT+19+0001'

Upphaf skeytis; tilvísunarnr. skeytis  
Sendingarnúmer (ásamt vartölu)  
Dagsetning skeytis  
Brottfarardagur úr síðustu höfn  
Brottfararstaður (tollumdæmis)  
Vörugeymsla ABC  
Ákvörðunarstaður erlendis  
Útflutningur  
Farmskrárnúmer  
Fyrstu sex stafir tollskrárnúmers vöru  
Fjöldi hleðslustaða  
Flutningsaðili og flutningsfar  
Viðtakandi í útlöndum  
Kennit., nafn, heimili og póstr. útflytj.  
Fjöldi stykkja og tegund umbúða  
Vörulýsing  
Merki og númer umbúða/vöru  
Brúttóþyngd = 145 Kíló  
Fjöldi liða í skeytinu er 19  
Tilvísunarnr. skeytis er endurtekið í UNT